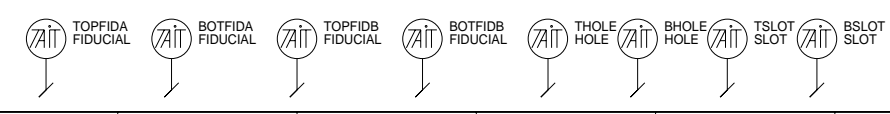
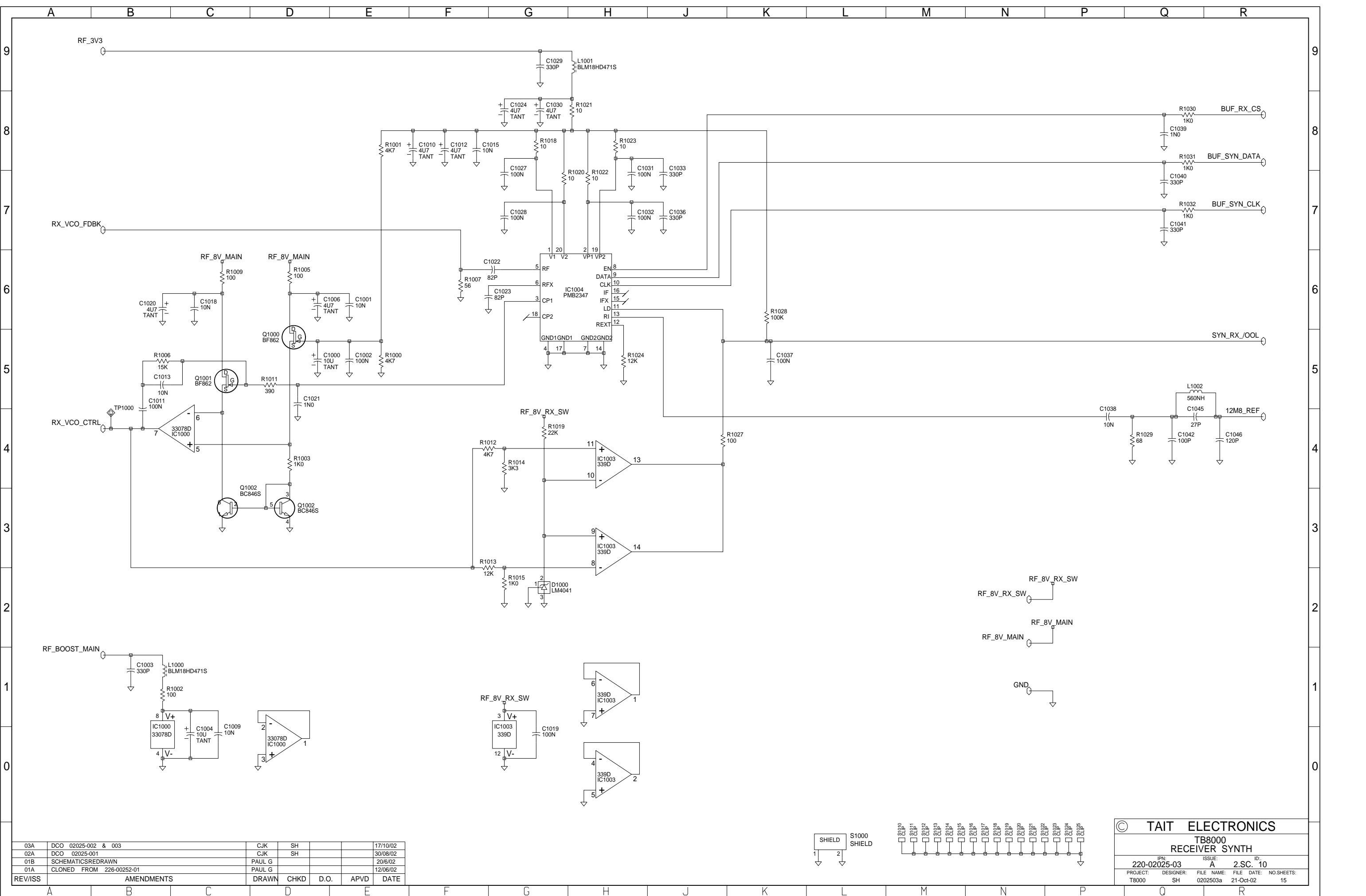


03A	DCO 02025-002 & 003	CJK	SH		17/10/02	
02A	DCO 02025-001	CJK	SH		30/08/02	
01B	SCHEMATICS REDRAWN	PAUL G			20/6/02	
01A	CLONED FROM 226-00252-01	PAUL G			12/06/02	
REV/ISS	AMENDMENTS	DRAWN	CHKD	D.O.	APVD	DATE



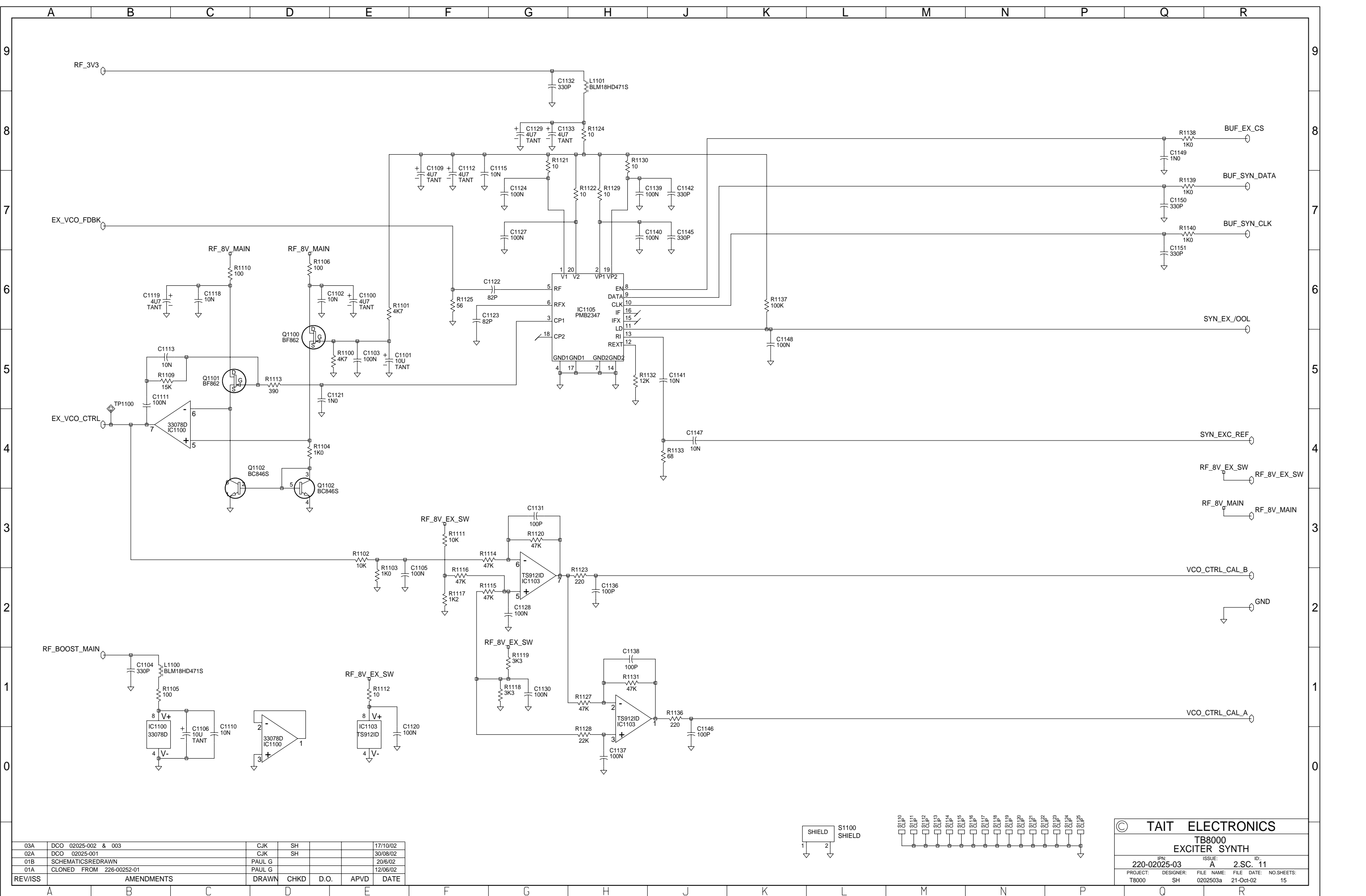
© TAIT ELECTRONICS			
TB8000 RECITER TOP LEVEL			
IPN: 220-02025-03	ISSUE: A	FILE DATE: 21-Oct-02	ID: 2.S.C. 1
PROJECT: T8000	DESIGNER: SH	FILE NAME: 0202503a	NO. SHEETS: 15



03A	DCO 02025-002 & 003	CJK	SH		17/10/02
02A	DCO 02025-001	CJK	SH		30/08/02
01B	SCHEMATICS REDRAWN	PAUL G			20/6/02
01A	CLONED FROM 226-00252-01	PAUL G			12/06/02
REV/ISS	AMENDMENTS	DRAWN	CHKD	D.O.	APVD DATE

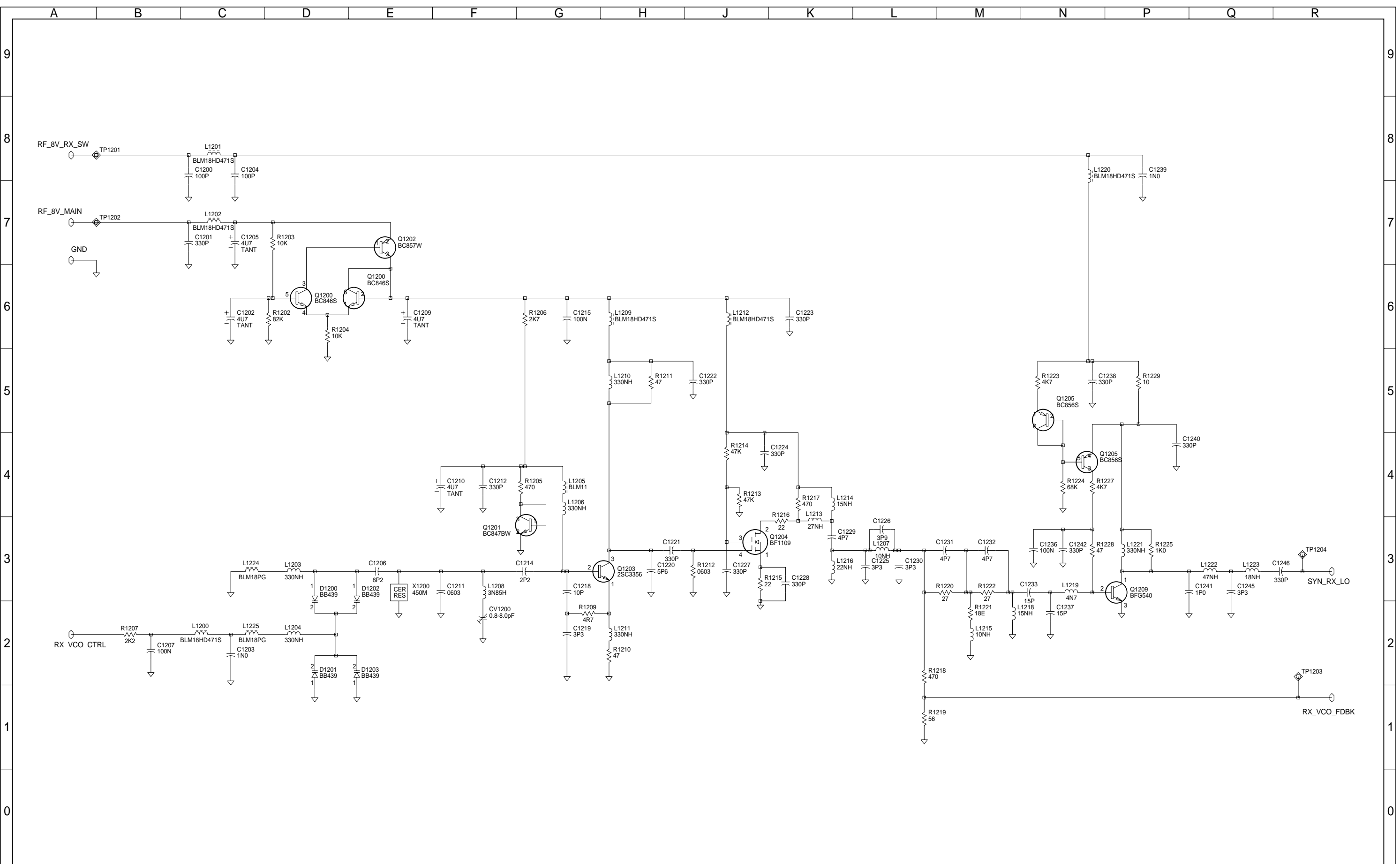
© TAIT ELECTRONICS
 TB8000
 RECEIVER SYNTH

IPN: 220-02025-03 ISSUE: A 2.SC. 10 ID:
 PROJECT: T8000 DESIGNER: SH FILE NAME: 0202503a FILE DATE: 21-Oct-02 NO.SHEETS: 15

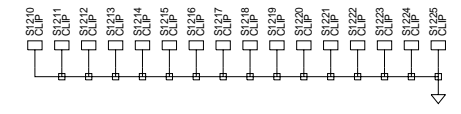
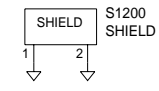


03A	DCO 02025-002 & 003	CJK	SH		17/10/02
02A	DCO 02025-001	CJK	SH		30/08/02
01B	SCHEMATICS REDRAWN	PAUL G			20/6/02
01A	CLONED FROM 226-00252-01	PAUL G			12/06/02
REV/ISS	AMENDMENTS	DRAWN	CHKD	D.O.	APVD DATE

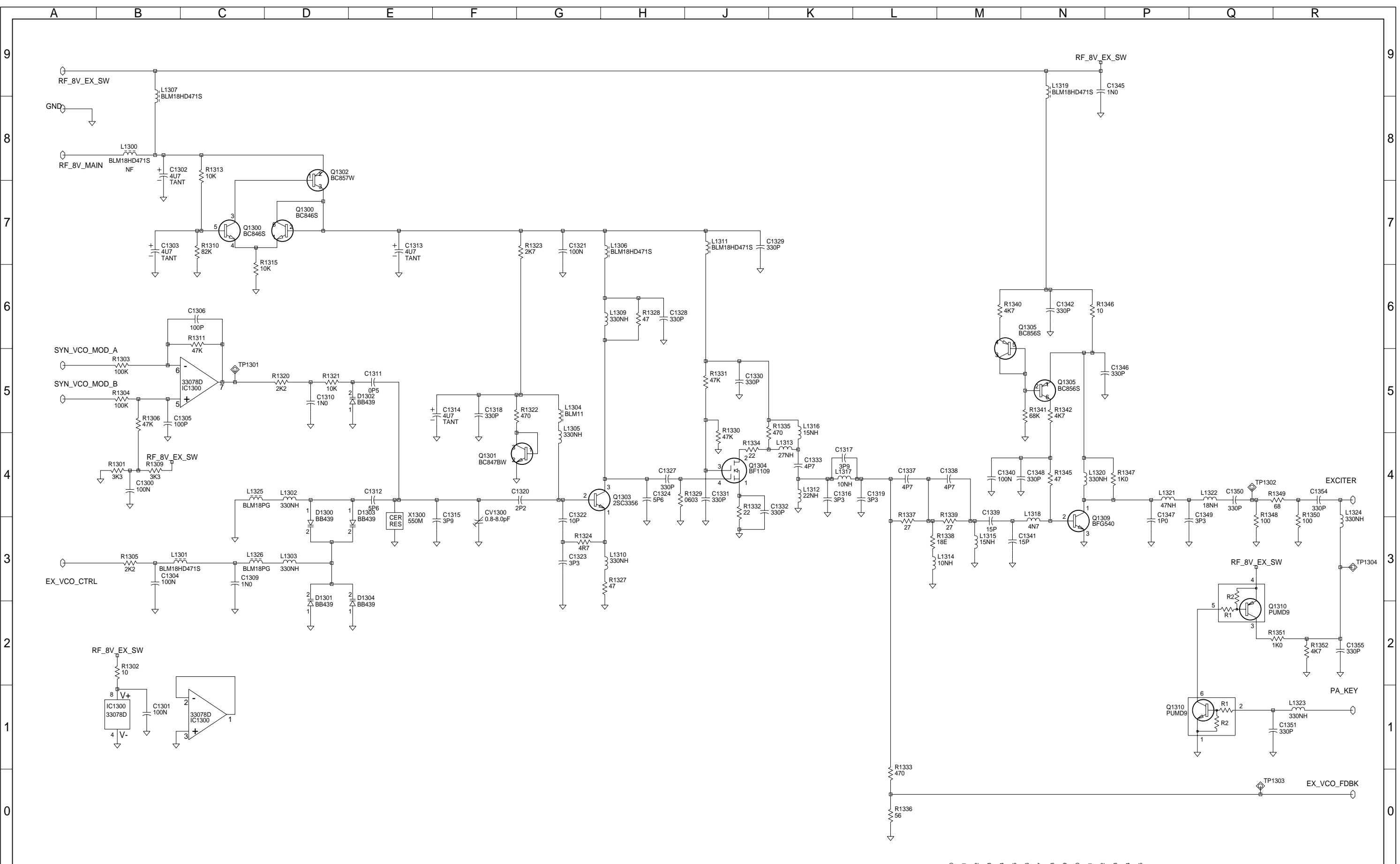
© TAIT ELECTRONICS
 TB8000
 EXCITER SYNTH
 IPN: 220-02025-03 ISSUE: A 2.SC. 11 ID:
 PROJECT: T8000 DESIGNER: SH FILE NAME: 0202503a FILE DATE: 21-Oct-02 NO. SHEETS: 15



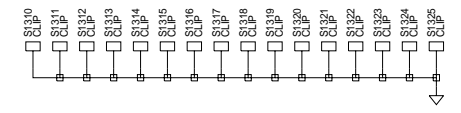
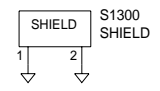
03A	DCO 02025-002 & 003	CJK	SH		17/10/02
02A	DCO 02025-001	CJK	SH		30/08/02
01B	SCHEMATICS REDRAWN	PAUL G			20/6/02
01A	CLONED FROM 226-00252-01	PAUL G			12/06/02
REV/ISS	AMENDMENTS	DRAWN	CHKD	D.O.	APVD DATE



© TAIT ELECTRONICS
TB8000 RECEIVER VCO
 IPN: 220-02025-03 ISSUE: A ID: 2.SC. 12
 PROJECT: T8000 DESIGNER: SH FILE NAME: 0202503a FILE DATE: 21-Oct-02 NO. SHEETS: 15



03A	DCO 02025-002 & 003	CJK	SH		17/10/02
02A	DCO 02025-001	CJK	SH		30/08/02
01B	SCHEMATICS REDRAWN	PAUL G			20/06/02
01A	CLONED FROM 226-00252-01	PAUL G			12/06/02
REV/ISS	AMENDMENTS	DRAWN	CHKD	D.O.	APVD DATE

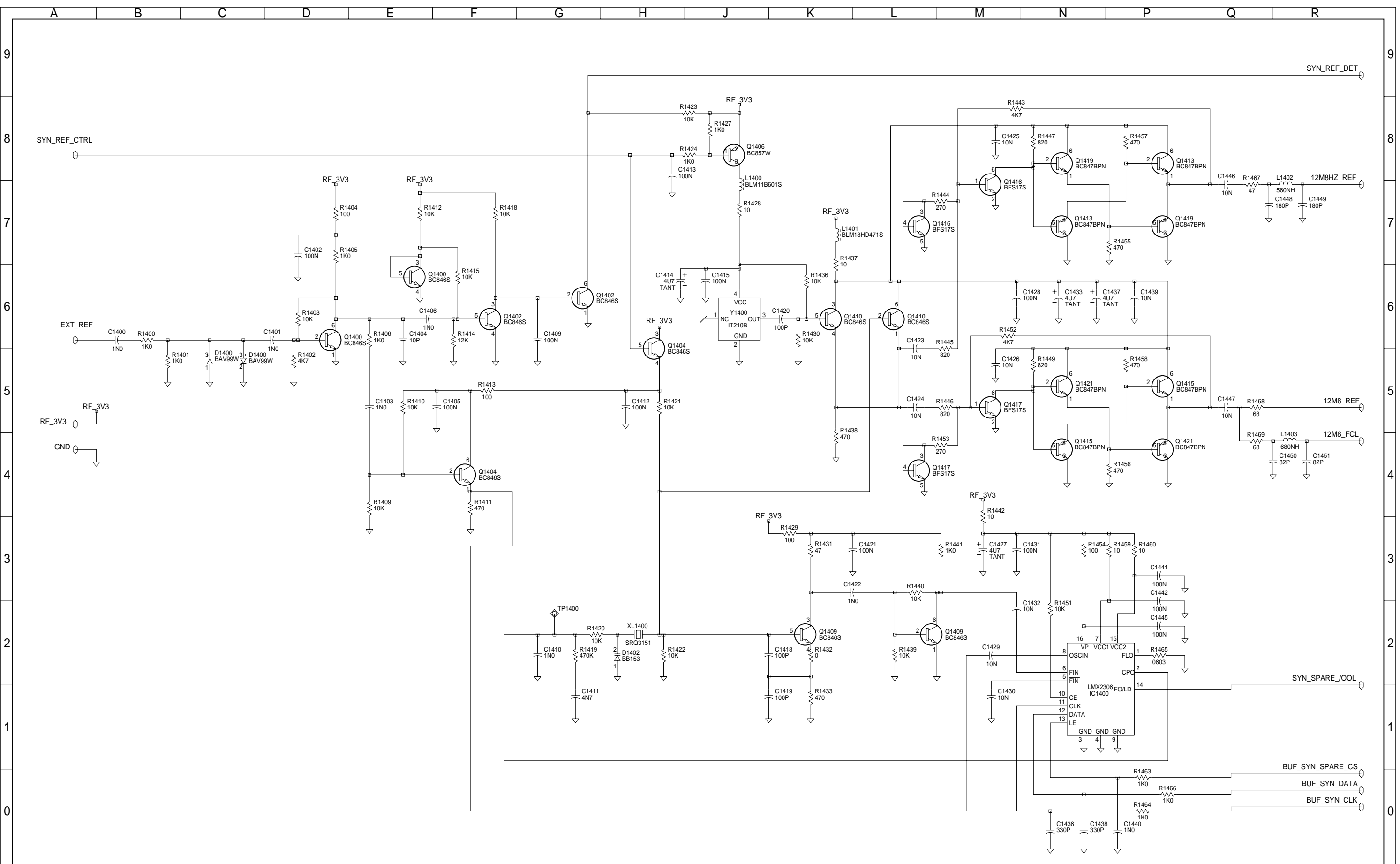


© TAIT ELECTRONICS

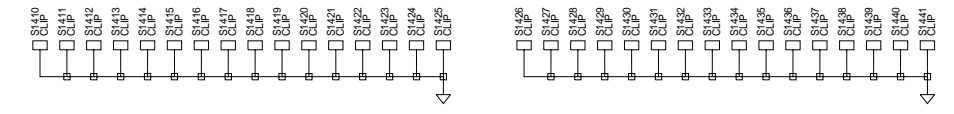
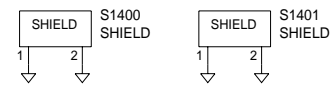
TB8000
EXCITER VCO

IPN: 220-02025-03 ISSUE: A ID: 2.SC. 13

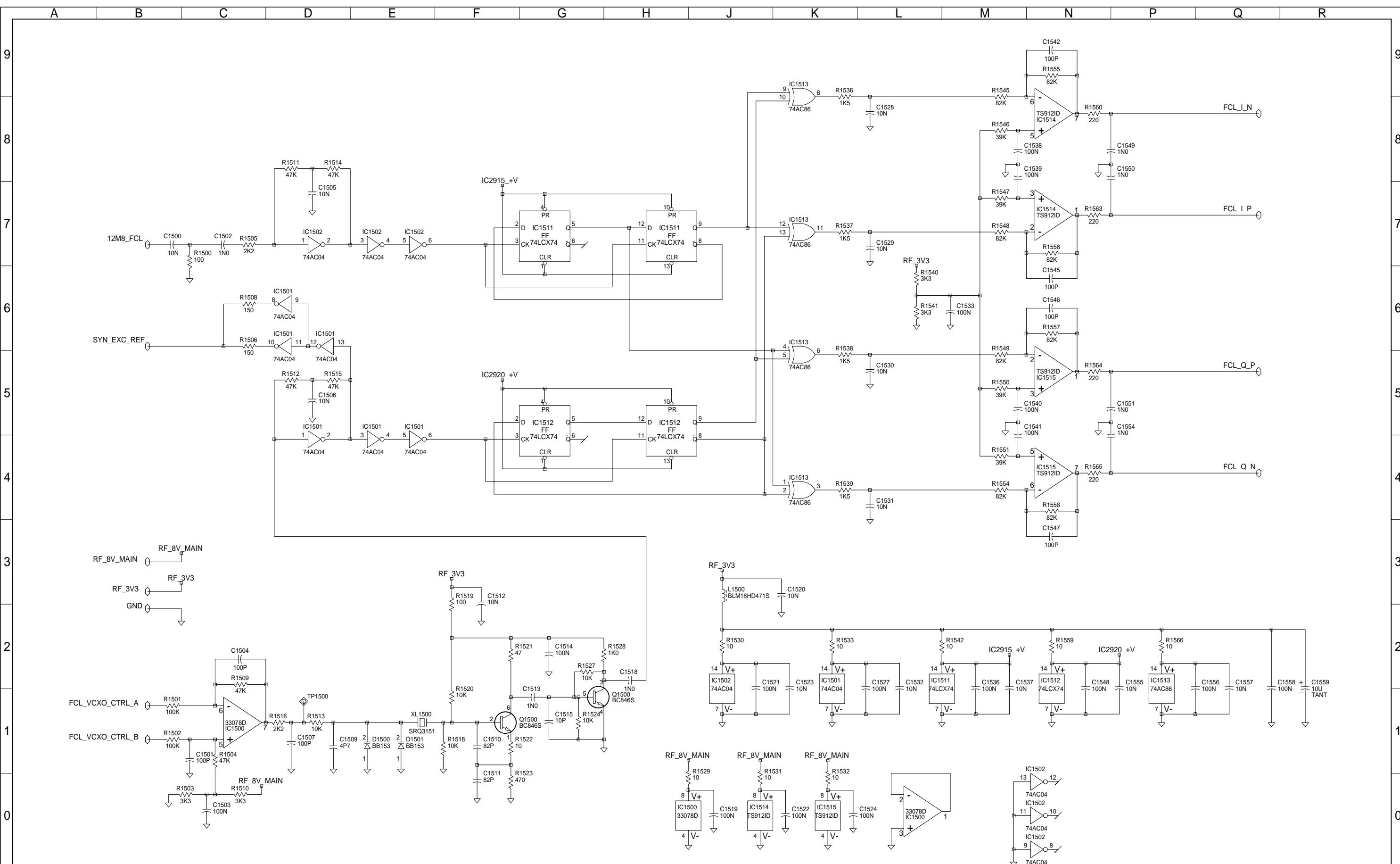
PROJECT: T8000 DESIGNER: SH FILE: 0202503a DATE: 21-Oct-02 NO.SHEETS: 15



03A	DCO	02025-002 & 003	CJK	SH		17/10/02
02A	DCO	02025-001	CJK	SH		30/08/02
01B	SCHEMATICS REDRAWN		PAUL G			20/6/02
01A	CLONED FROM 226-00252-01		PAUL G			12/06/02
REV/ISS	AMENDMENTS		DRAWN	CHKD	D.O.	APVD DATE

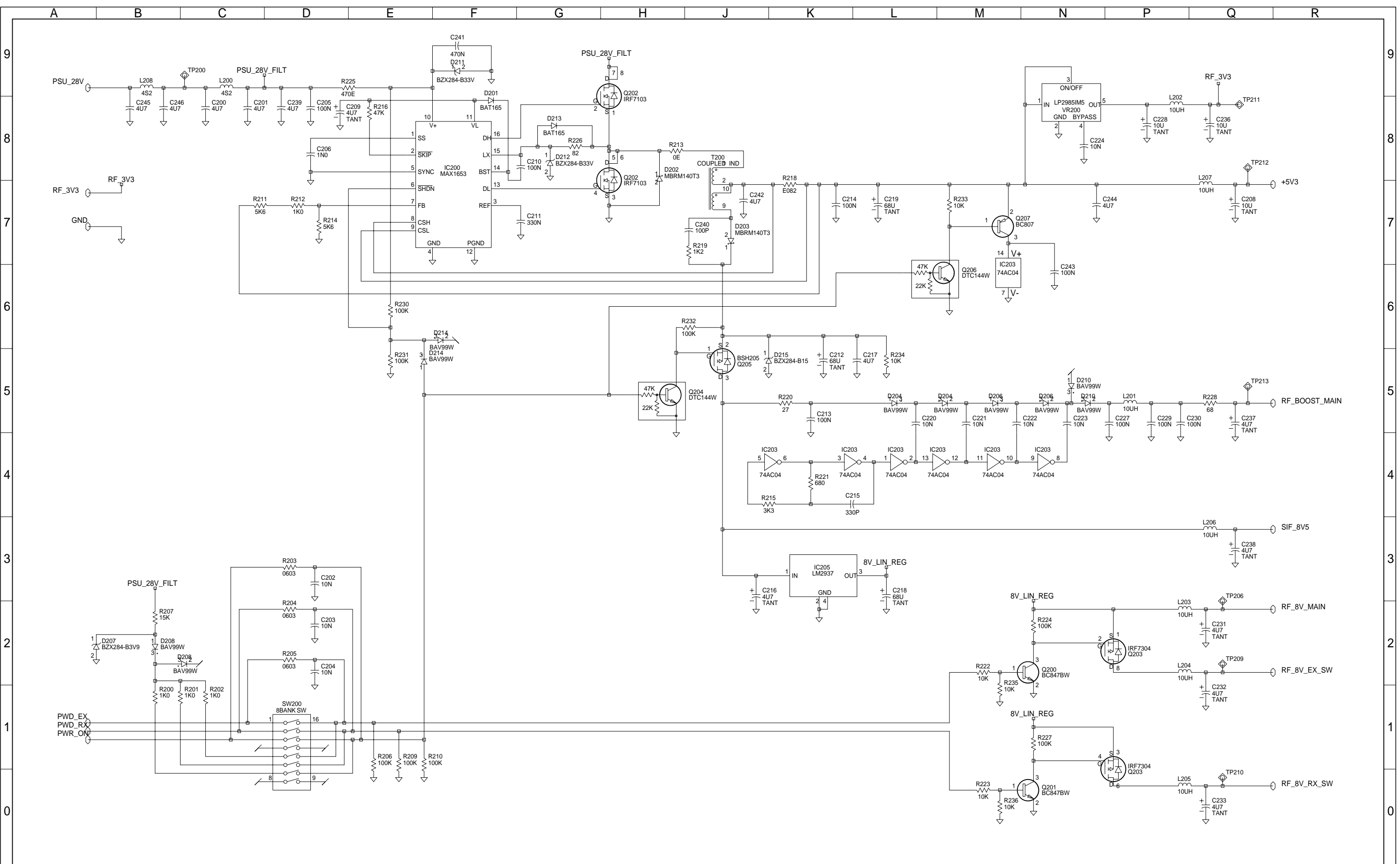


© TAIT ELECTRONICS
TB8000
EXTERNAL REFERENCE
 IPN: 220-02025-03 ISSUE: A ID: 2.SC. 14
 PROJECT: T8000 DESIGNER: SH FILE NAME: 0202503a FILE DATE: 21-Oct-02 NO. SHEETS: 15



03A	DCO 02025-002 & 003	CJK	SH		17/10/02
02A	DCO 02025-001	CJK	SH		30/08/02
01B	SCHEMATICS REDRAWN	PAUL G			20/06/02
01A	CLONED FROM 226-00252-01	PAUL G			12/06/02
REV/ISS	AMENDMENTS	DRAWN	CHKD	D.O.	APVD DATE

© TAIT ELECTRONICS
 TB8000
 FREQUENCY CONTROL LOOP
 IPN: 220-02025-03 ISSUE: A 2.S.C. 15
 PROJECT: T8000 DESIGNER: SH FILE NAME: 0202503a FILE DATE: 21-Oct-02 NO.SHEETS: 15



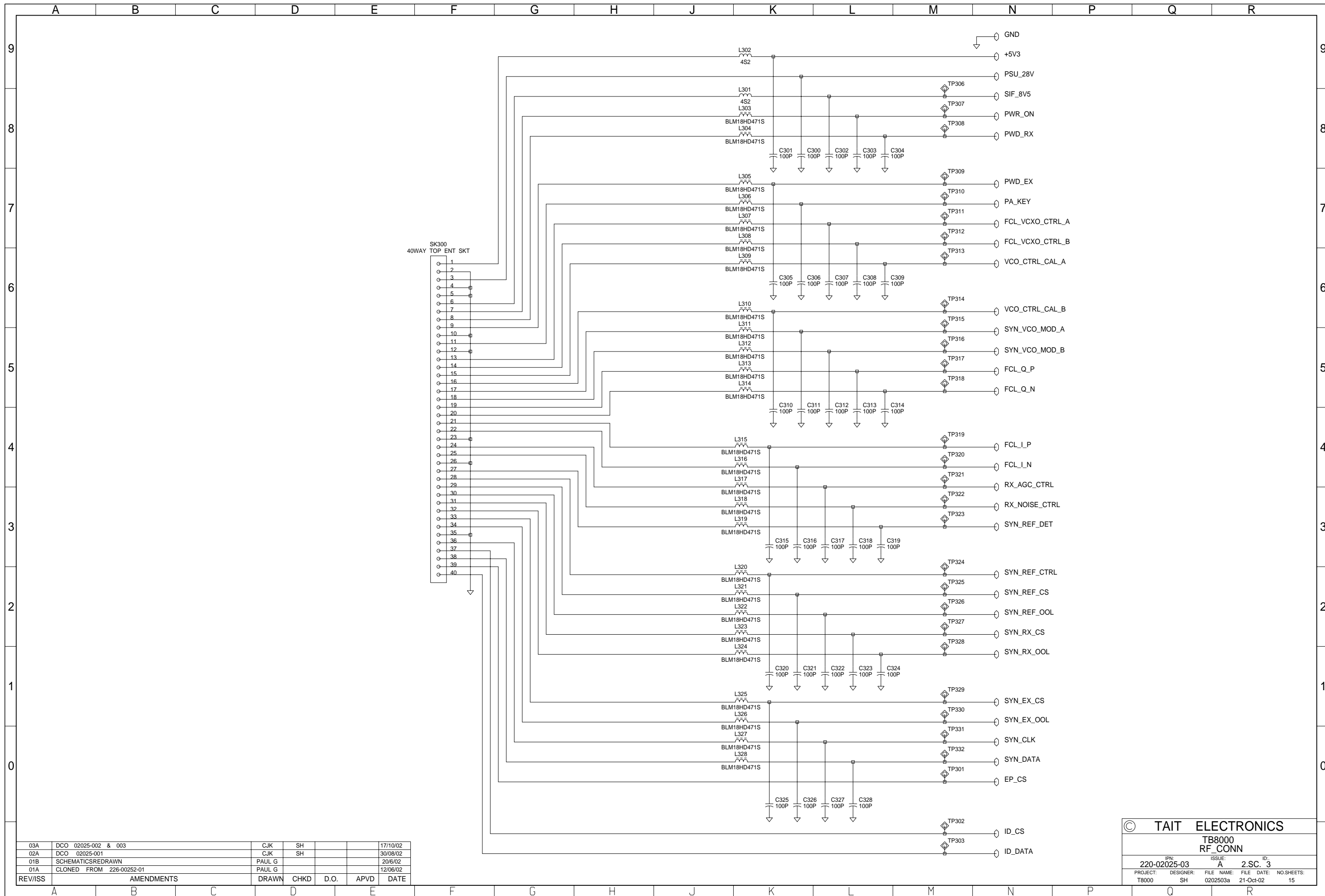
03A	DCO 02025-002 & 003	CJK	SH	17/10/02
02A	DCO 02025-001	CJK	SH	30/08/02
01B	SCHEMATICS REDRAWN	PAUL G		20/06/02
01A	CLONED FROM 226-00252-01	PAUL G		12/06/02
REV/ISS	AMENDMENTS	DRAWN	CHKD	D.O.
				APVD
				DATE

© TAIT ELECTRONICS

TB8000
POWERSUPPLY

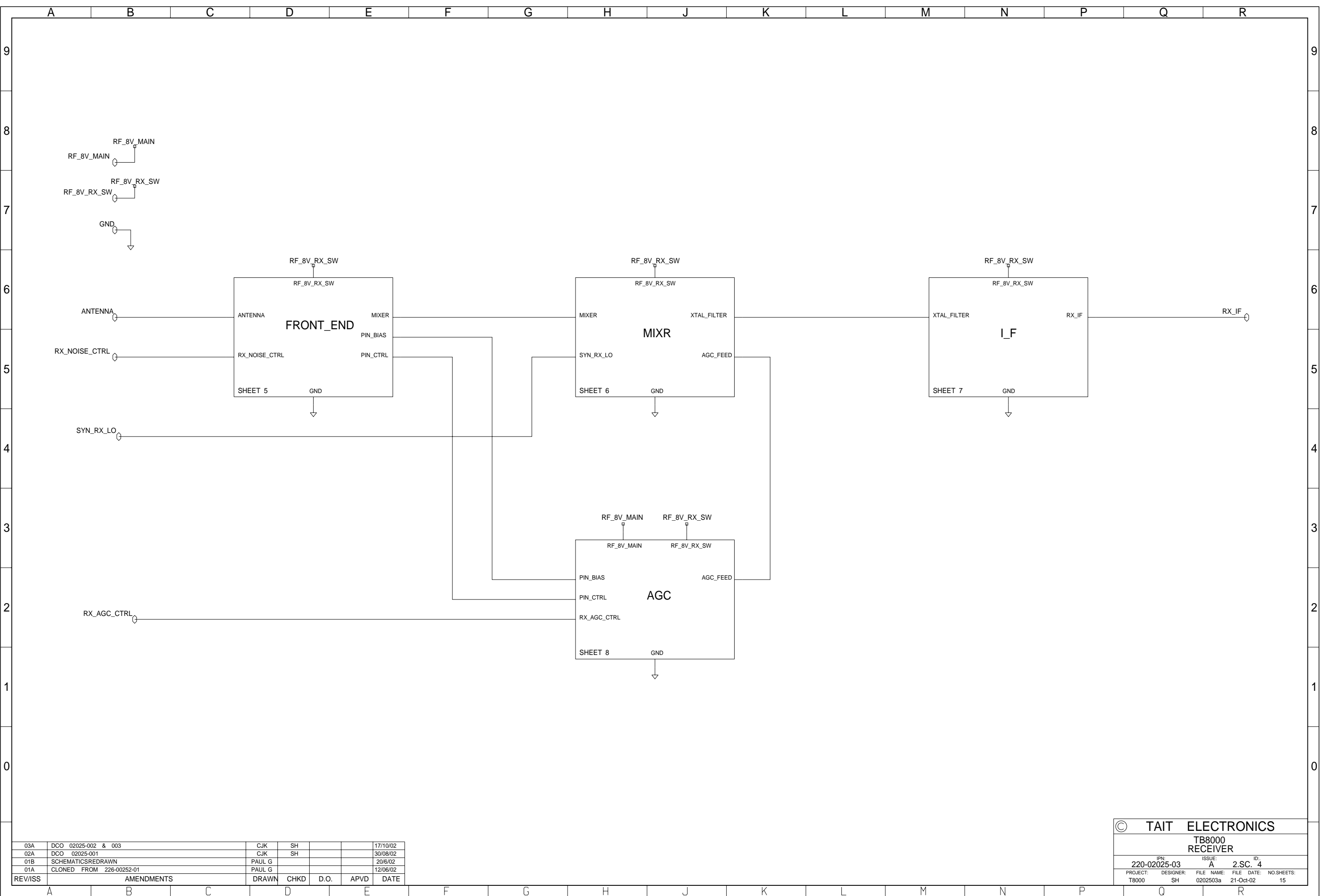
IPN: 220-02025-03 ISSUE: A ID: 2.SC. 2

PROJECT: T8000 DESIGNER: SH FILE NAME: 0202503a FILE DATE: 21-Oct-02 NO.SHEETS: 15



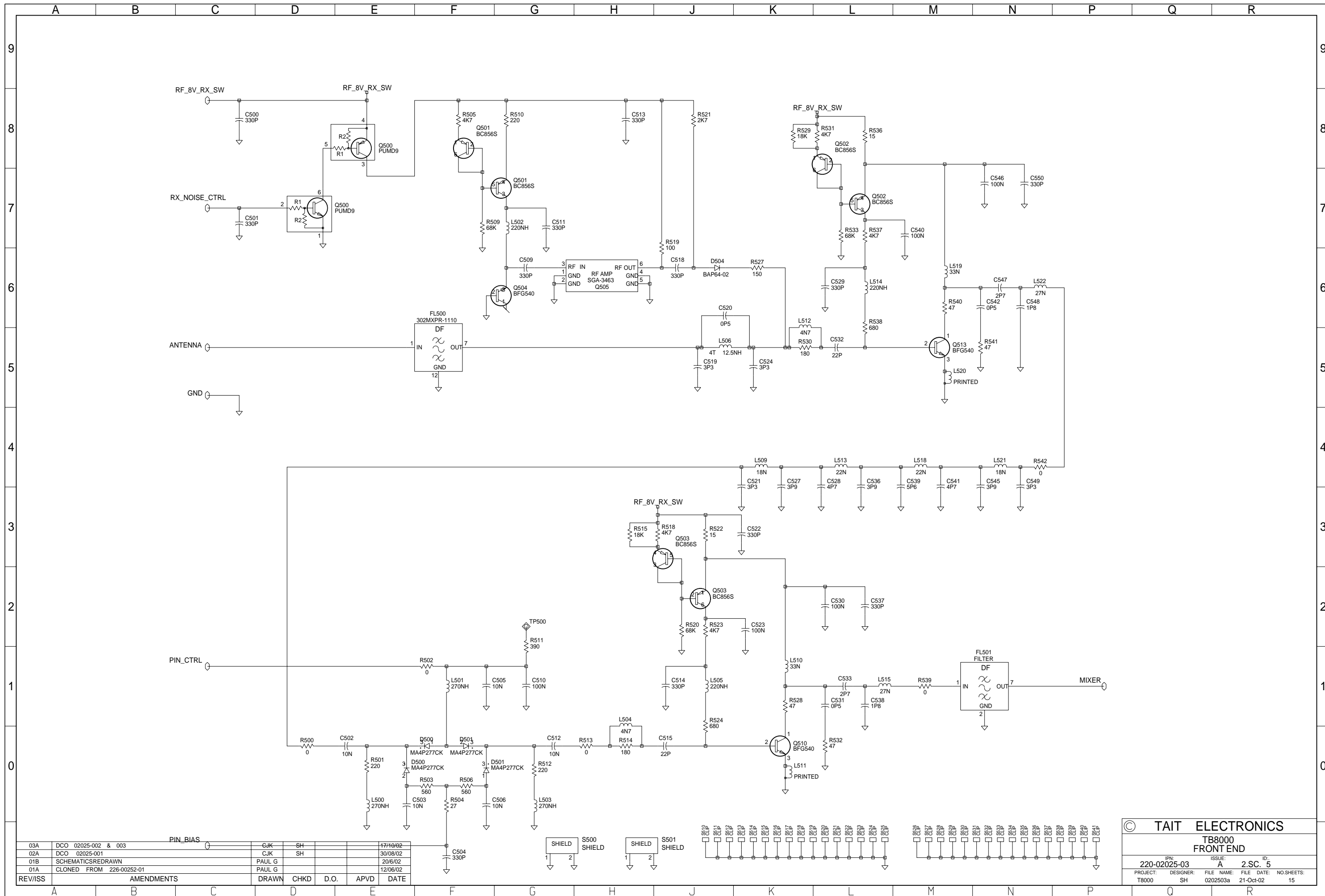
03A	DCO 02025-002 & 003	CJK	SH			17/10/02
02A	DCO 02025-001	CJK	SH			30/08/02
01B	SCHEMATICS REDRAWN	PAUL G				20/6/02
01A	CLONED FROM 226-00252-01	PAUL G				12/06/02
REV/ISS	AMENDMENTS	DRAWN	CHKD	D.O.	APVD	DATE

© TAIT ELECTRONICS
 TB8000
 RF_CONN
 IPN: 220-02025-03 ISSUE: A ID: 2.S.C. 3
 PROJECT: T8000 DESIGNER: SH FILE NAME: 0202503a FILE DATE: 21-Oct-02 NO. SHEETS: 15



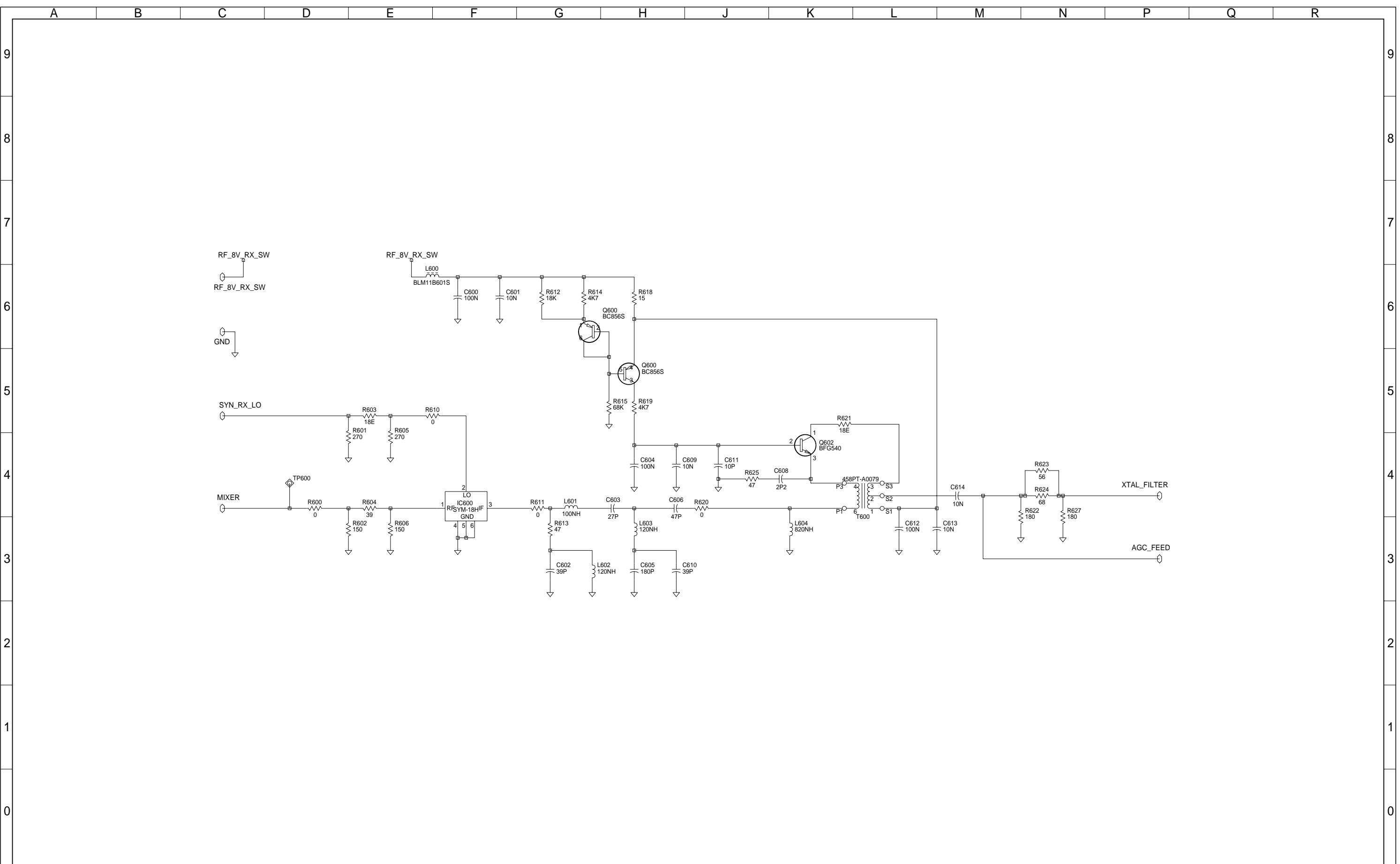
03A	DCO 02025-002 & 003	CJK	SH			17/10/02
02A	DCO 02025-001	CJK	SH			30/08/02
01B	SCHEMATICS REDRAWN	PAUL G				20/6/02
01A	CLONED FROM 226-00252-01	PAUL G				12/06/02
REV/ISS	AMENDMENTS	DRAWN	CHKD	D.O.	APVD	DATE

© TAIT ELECTRONICS					
TB8000 RECEIVER					
IPN:	ISSUE:	ID:			
220-02025-03	A	2.SC. 4			
PROJECT:	DESIGNER:	FILE NAME:	FILE DATE:	NO.SHEETS:	
T8000	SH	0202503a	21-Oct-02	15	

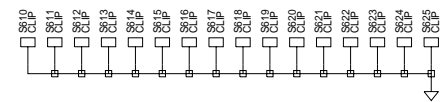
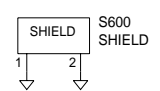


REV/ISS	AMENDMENTS	DRAWN	CHKD	D.O.	APVD	DATE
03A	DCO 02025-002 & 003	GJK	SH			17/10/02
02A	DCO 02025-001	CJK	SH			30/08/02
01B	SCHEMATICS REDRAWN	PAUL G				20/6/02
01A	CLONED FROM 226-00252-01	PAUL G				12/06/02

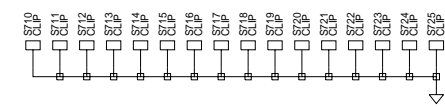
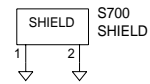
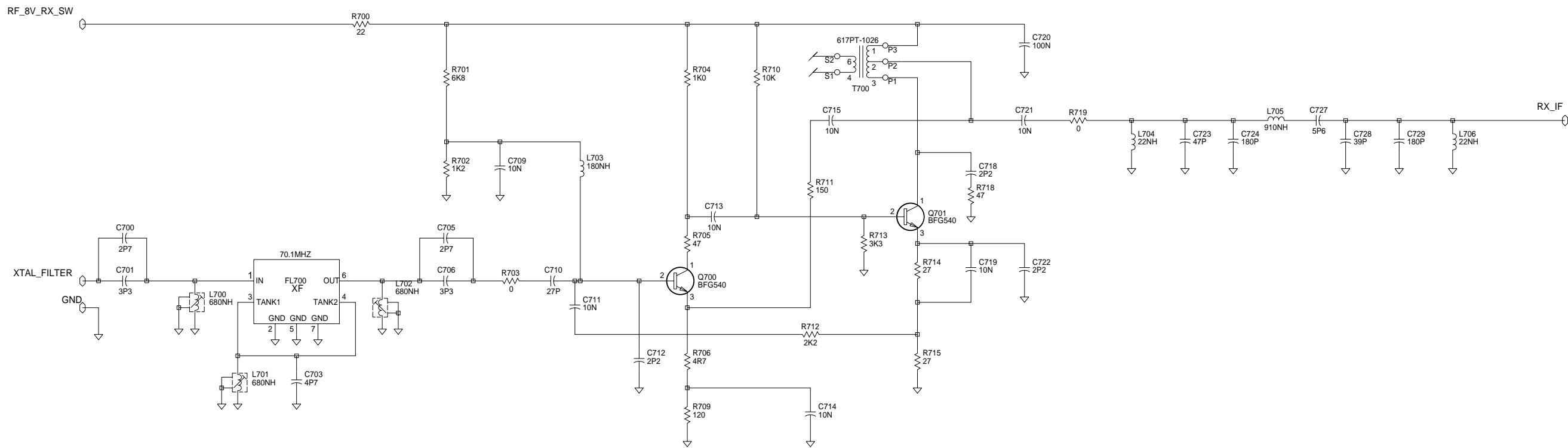
© TAIT ELECTRONICS
TB8000 FRONT END
 IPN: 220-02025-03 ISSUE: A 2.S.C. 5 ID:
 PROJECT: T8000 DESIGNER: SH FILE NAME: 0202503a FILE DATE: 21-Oct-02 NO.SHEETS: 15



03A	DCO 02025-002 & 003	CJK	SH		17/10/02
02A	DCO 02025-001	CJK	SH		30/08/02
01B	SCHEMATICS REDRAWN	PAUL G			20/6/02
01A	CLONED FROM 226-00252-01	PAUL G			12/06/02
REV/ISS	AMENDMENTS	DRAWN	CHKD	D.O.	APVD DATE

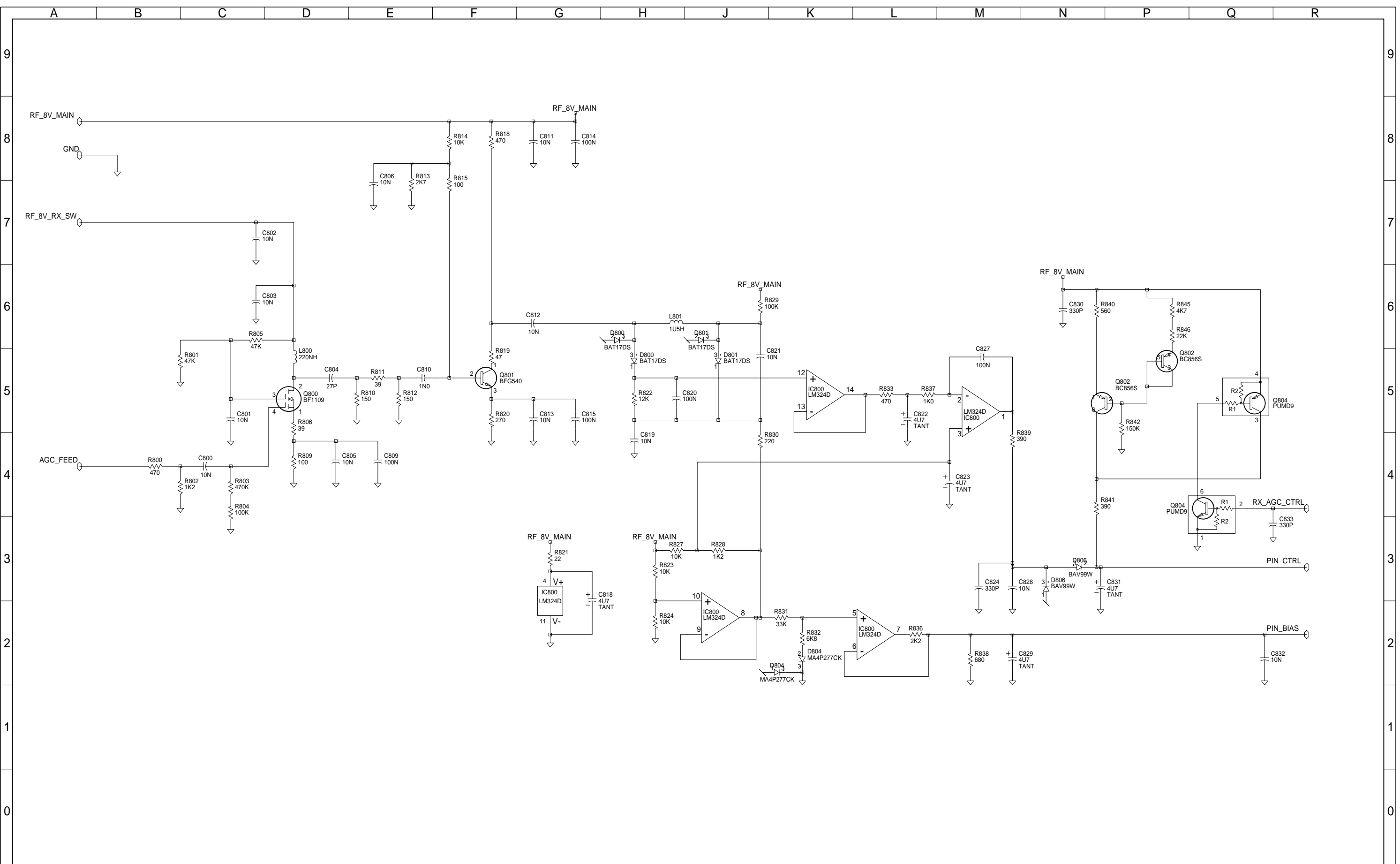


© TAIT ELECTRONICS				
TB8000 MIXER				
IPN:	ISSUE:	FILE NAME:	FILE DATE:	ID:
220-02025-03	A	2.SC. 6		
PROJECT:	DESIGNER:	FILE NAME:	FILE DATE:	NO. SHEETS:
T8000	SH	0202503a	21-Oct-02	15

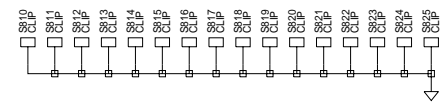
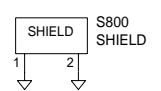


03A	DCO 02025-002 & 003	CJK	SH			17/10/02
02A	DCO 02025-001	CJK	SH			30/08/02
01B	SCHEMATICS REDRAWN	PAUL G				20/6/02
01A	CLONED FROM 226-00252-01	PAUL G				12/06/02
REV/ISS	AMENDMENTS	DRAWN	CHKD	D.O.	APVD	DATE

© TAIT ELECTRONICS					
TB8000 IF					
IPN:	ISSUE:	ID:			
220-02025-03	A	2.SC. 7			
PROJECT:	DESIGNER:	FILE NAME:	FILE DATE:	NO. SHEETS:	
T8000	SH	0202503a	21-Oct-02	15	



03A	DCO 02025-002 & 003	CJK	SH		17/10/02
02A	DCO 02025-001	CJK	SH		30/08/02
01B	SCHEMATICS REDRAWN	PAUL G			20/6/02
01A	CLONED FROM 226-00252-01	PAUL G			12/06/02
REV/ISS	AMENDMENTS	DRAWN	CHKD	D.O.	APVD DATE

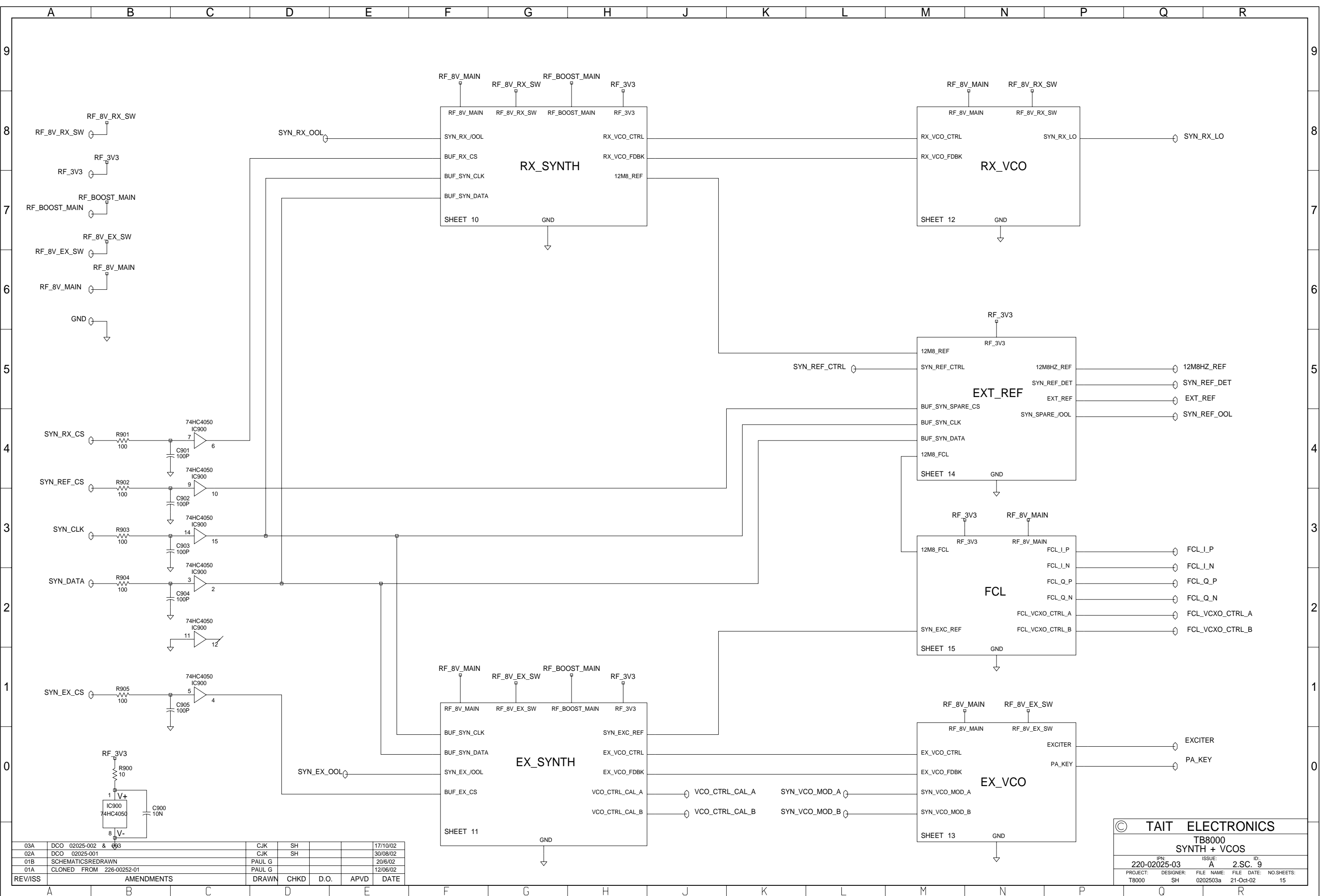


© TAIT ELECTRONICS

TB8000
AGC

IPN: 220-02025-03 ISSUE: A ID: 2.S.C. 8

PROJECT: T8000 DESIGNER: SH FILE NAME: 0202503a FILE DATE: 21-Oct-02 NO. SHEETS: 15



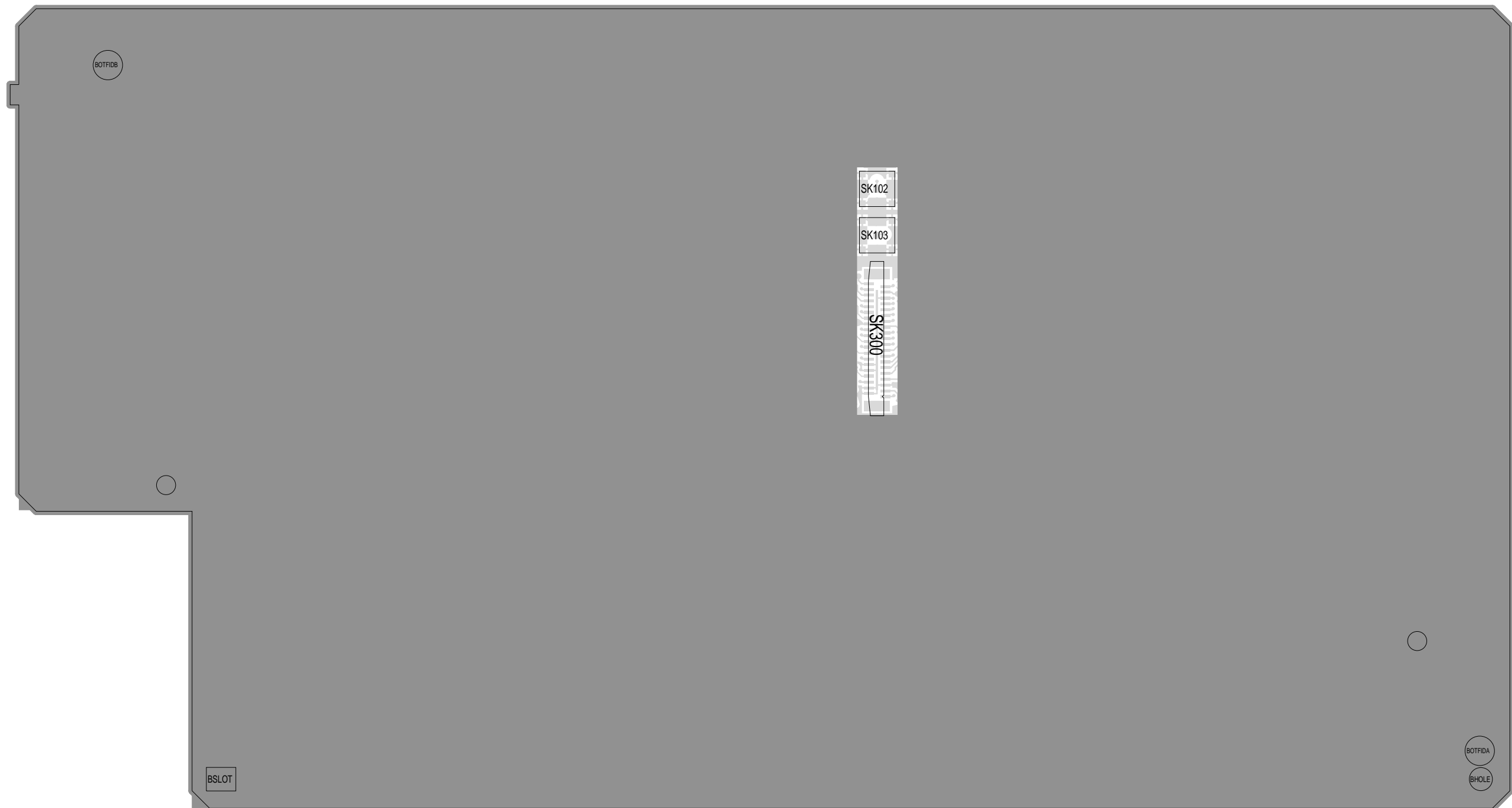
03A	DCO 02025-002 & 003	CJK	SH		17/10/02
02A	DCO 02025-001	CJK	SH		30/08/02
01B	SCHEMATICS REDRAWN	PAUL G			20/6/02
01A	CLONED FROM 226-00252-01	PAUL G			12/06/02
REV/ISS	AMENDMENTS	DRAWN	CHKD	D.O.	APVD DATE

© TAIT ELECTRONICS
 TB8000
 SYNTH + VCOS
 IPN: 220-02025-03 ISSUE: A ID: 2.SC. 9
 PROJECT: T8000 DESIGNER: SH FILE NAME: 0202503a FILE DATE: 21-Oct-02 NO. SHEETS: 15



TAIT ELECTRONICS IPN: 220-02025-03 ISS: A ID: 1.TA DATE: 21 Oct 2002
 RECITER4_RF PCB LAYOUT - TOP SIDE

Scale: 1.3:1 ; Rotation: 0 degrees



TAIT ELECTRONICS	IPN: 220-02025-03	ISS: A	ID: 4.BA	DATE: 21 Oct 2002
RECITER4_RF PCB LAYOUT - BOTTOM SIDE				

Scale: 1.3:1 ; Rotation: 0 degrees